



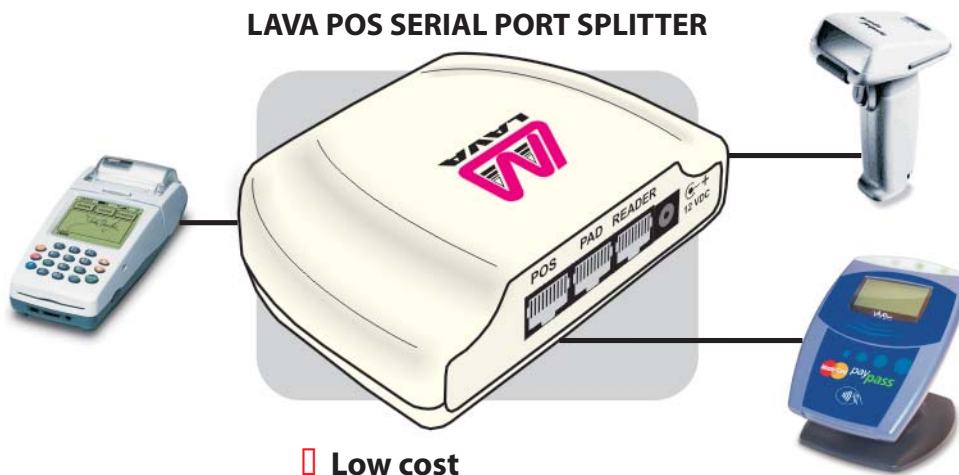
LAVA POS Serial Port Splitter

Send 2 serial data streams to 1 serial port

RS-232 POS Serial Port Splitter

LAVA: The Source for Ports

LAVA POS SERIAL PORT SPLITTER



- Low cost
- Simple integration

LAVA POS Serial Port Splitter Application:

Connect two serial POS peripherals to a POS station with just one serial port. The LAVA POS Serial Port Splitter arbitrates between the data streams, preventing conflicts and doubling your serial port capacity.

Easy set-up: No software to install. Just plug the devices together, plug in the power, and go!

LAVA POS Serial Port Splitter

For managing two serial data streams led to a single serial input.

The LAVA POS Serial Port Splitter provides serial port splitting, plain and simple. This capability can enable a POS station with just one serial port take inputs from two serial peripherals without conflicts. The EPOS station provides the logic to distinguish serial data sources.

Features

- Dual RS-232 RJ-45 serial input ports supporting up to 115.2 kbps throughput per port
- Serial input ports receive POS data from POS peripherals
- Single RS-232 serial output port supporting up to 115.2 kbps throughput
- Serial output port sends POS data to POS terminal/ECR
- Software-less installation
- Power supply included

Specifications

RJ-45 serial port pinouts: RS-232C TX, RX, GND only [three ports]

Power input: 9-29 VDC

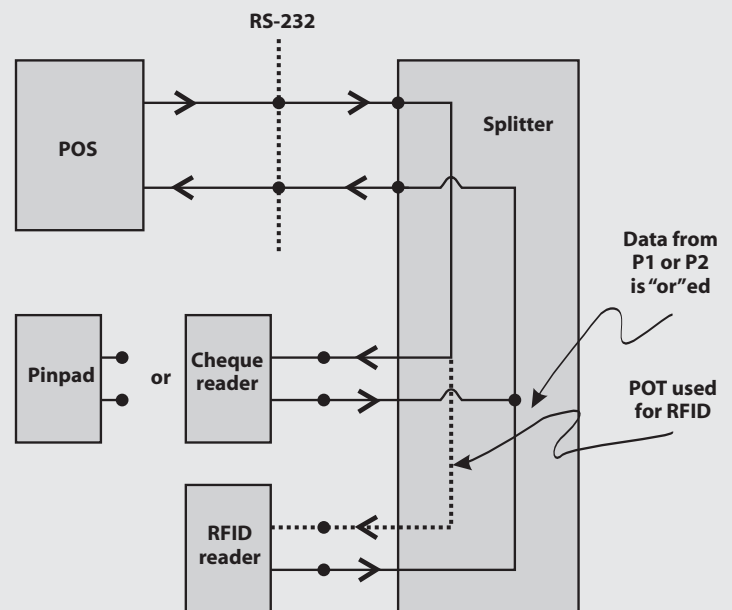
Configuration: hardware only, no software required

Weight: 2.6 oz. [75 g]

Dimensions: 3 in x 4 in x 1.5 in [75 mm x 112 mm x 42 mm]

- Ideal for RFID-to-POS integration
- Enables simultaneous inputs from two serial peripherals to an ECR or other POS device
 - Manages serial data effortlessly
 - Operates transparently to POS station

LAVA POS Serial Port Splitter



Functional Schematic of Splitter
Data Flow TX/RX

About LAVA

Headquartered in Toronto, Canada, LAVA Computer MFG Inc. designs and manufactures serial and parallel I/O boards and Ethernet-to-serial device servers that are widely used in the Point of Sale, Kiosk, Gaming, Industrial Automation, Security and Access Control industries. With well over a million LAVA products built into workstations, servers, retail POS systems, and industrial computers since 1984, LAVA I/O boards and Ether-Serial Links are trusted by resellers, distributors, OEMs and system builders in over 47 countries worldwide. Designed for lifetime performance, each LAVA connectivity link is individually tested and covered by the LAVA Lifetime Warranty. For more information on LAVA Computer MFG, visit <http://www.lavalink.com>.

LAVA: The Source for Ports